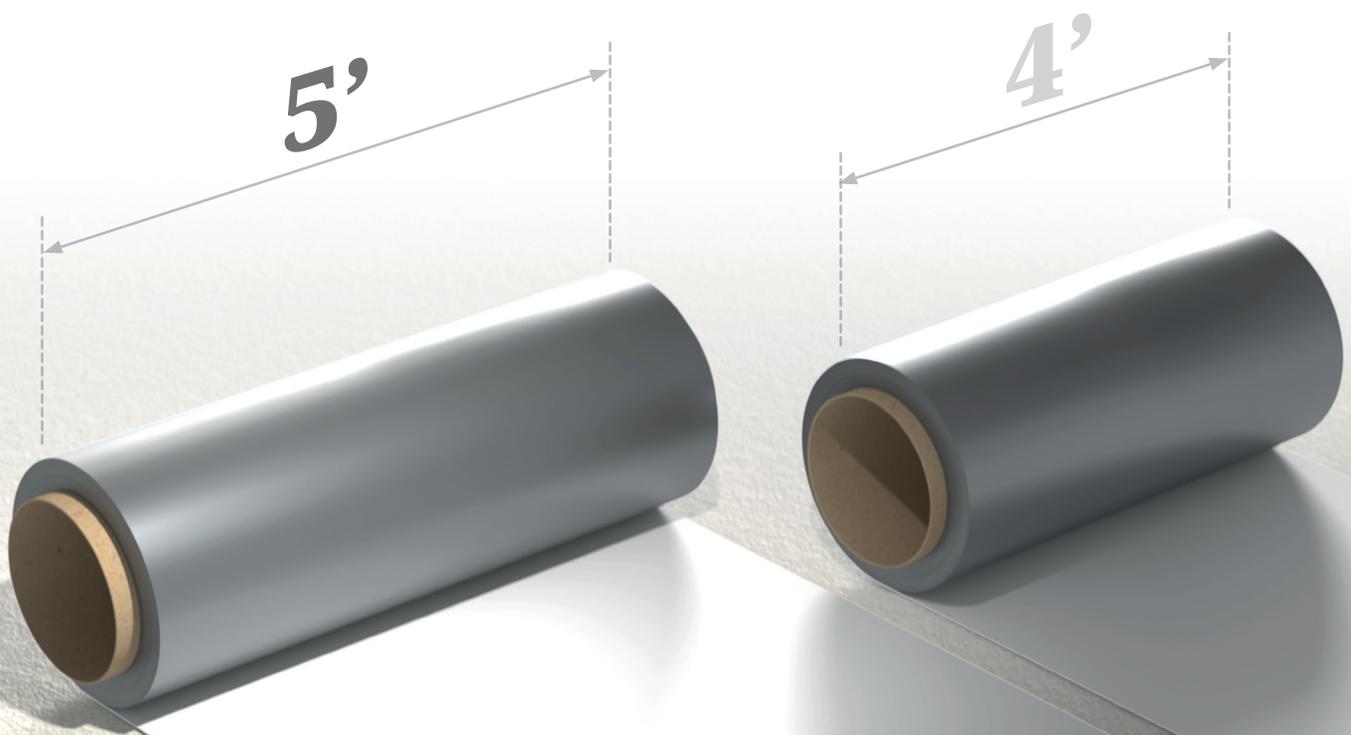


Roll Coated 5ft Coils



Introducing our Roll Coated 5ft Coils

Transitioning from a spray-coated 5ft line
to a roll-coated 5ft line

The transition from a spray-coated 5ft line to a roll-coated 5ft line represents a significant advancement in product quality and production efficiency. This upgrade marks an important milestone in our ongoing commitment to delivering the highest-quality materials to our customers.

Superior Material Quality

The roll coating ensures a more consistent and durable finish, resulting in materials that maintain their aesthetic and functional integrity over time.

Faster Production Speeds

With the upgraded line, materials are produced significantly faster, leading to shorter lead times and quicker order fulfillment, helping customers meet project deadlines more efficiently.

Improved Efficiency

Advanced technology integrated into the roll-coated line allows for a streamlined production process, reducing waste, optimizing resource use, and enhancing overall productivity.



**“A milestone in our
commitment to providing
the highest quality products”**

Chris Reiter, CEO



From Spray Coated to Roll Coated Surfaces

Spray coated involves using pressurized air nozzles to break the liquid coating into tiny droplets, which could create an unintended ripple effect known as “orange peel.” We have adopted roll coating for a smoother and more uniform appearance, recognizing the need for a more refined and consistent surface finish.

Our roll coated smooth surfaces provide a sleek and polished appearance, ideal for high-visibility areas where a professional finish is essential. This improved method is more accessible to apply and maintain and delivers a consistent and visually appealing surface, free from the textural variations seen in spray coated finishes.

This technique aligns with our commitment to quality, offering a superior product that meets the highest modern design standards.

Spray Coated Orange Peel Surface

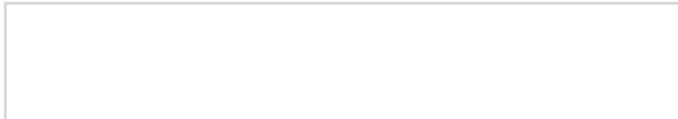


Roll Coated Smooth Surface



Colors

Our CeramicSteel products come in a variety of colors, ranging from bright and dynamic to subtle and refined, and they are designed to elevate any area with the quality and reliability for which Polyvision is known.



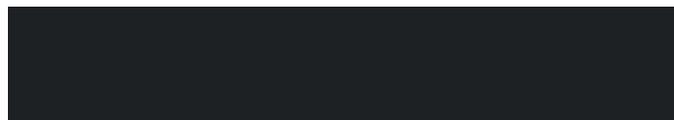
White Gloss
Polyvision Color Code 6100



Beige Gloss*
Polyvision Color Code 6102



Grey Chalk*
Polyvision Color Code 6502 C



Black Chalk*
Polyvision Color Code 6501 C

Dimensions

Available with tube diameters of 12", 18", and 20"
Lengths range from 240 lf to 350 lf, based on lengths required and handling capability. Custom lengths possible.
Steel: 24 gauge

Surface Types

Several gloss levels possible



Satin



High Gloss



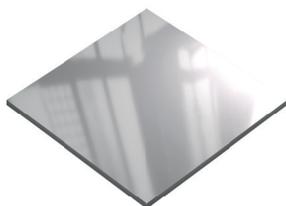
Low Gloss



Chalk



Projection*



Ultra High Gloss*

* Coming Soon



Product Features

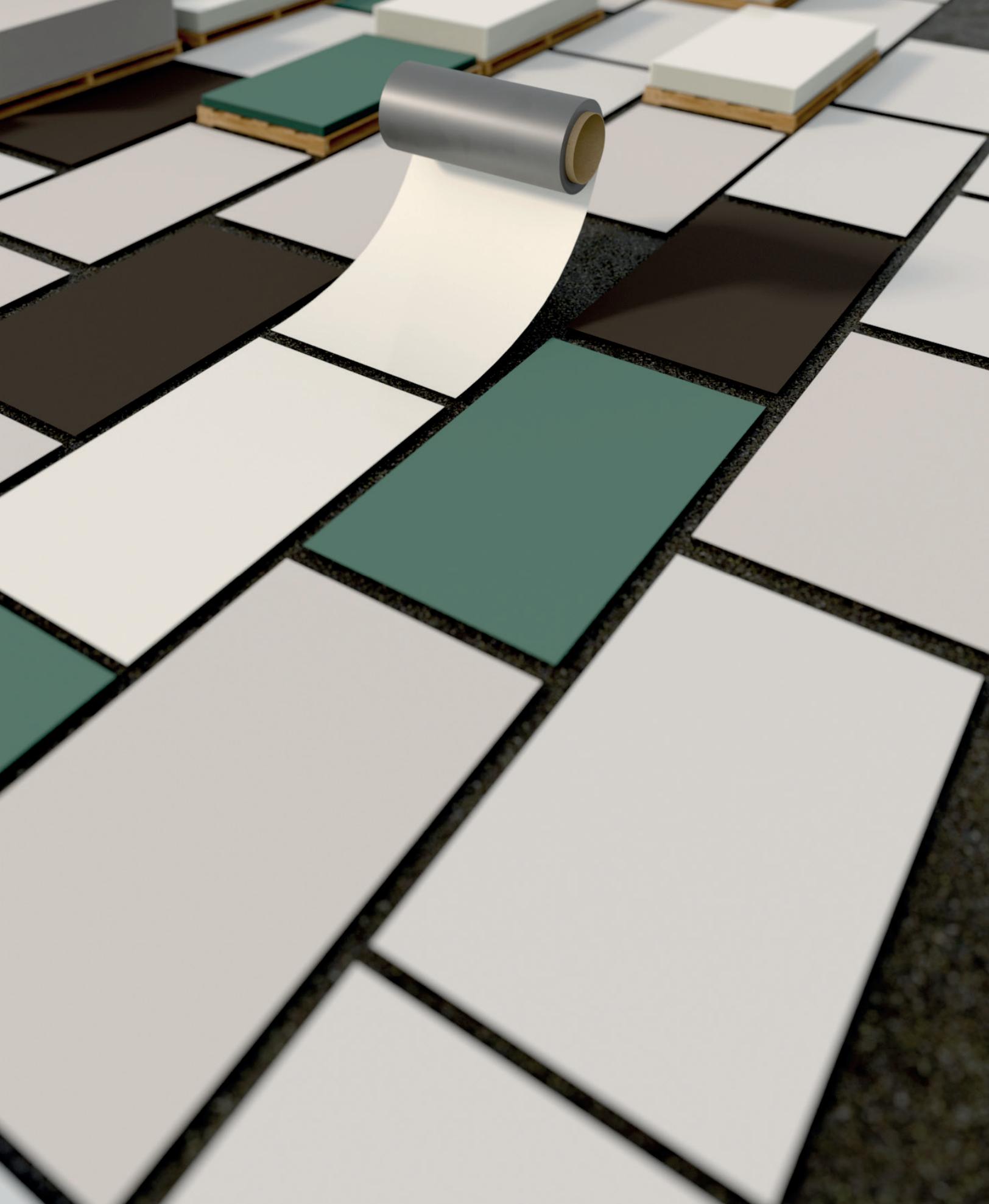
Our surfaces go beyond traditional applications by providing solutions at the forefront of technology and design trends. It's not just a wallcovering; it's the future of modern aesthetics.

CeramicSteel is a surface that is resistant to bacteria and viruses. It is nonporous, which means it doesn't have pores or openings that allow bacteria and viruses to enter.

Features and Benefits

- Smooth, inert surface
- Made from inorganic materials
- Magnetic
- Colorfast, will never fade
- Resistant to bacteria, vandal, fire, scratches, stains, and chemicals
- Easy to clean
- Releases zero VOCs





Corporate Responsibility

Polyvision believes that sustainability is an important business practice in today's global economy. In line with this belief, we strive for continuous improvement in all areas of environmental stewardship — responsible use of raw materials and natural resources, manufacturing processes and operation of all facilities — to reduce the impact of our activities on the environment. In the end, we believe we are all in this together, working to protect and cultivate the world we live in to make more sustainable choices.



Manufacturing Excellence

All Polyvision facilities are compliant with international standards and certified for Quality, Environment, Health and Safety. Our environmental goals aim to reduce and manage our global environment footprint in the areas of VOC emission, water use, waste output and CO₂ emission.



- ISO 9001 Quality Management Systems Certification
- ISO 45001 Occupational Health & Safety Management Certification



Ensuring A Sustainable Future

In addition to safe and sustainable manufacturing processes, Polyvision holds our products to the highest standards. We are third-party certified for our CeramicSteel surface by:

- **Cradle to Cradle Certified®** Bronze — releases no harmful chemicals into the environment, safeguards clean water, materials are safe for humans and the environment
- Indoor Air Quality Certified to SCS.EC10.3-2014 v4.0
- ISO 14001 Environmental Management Certification



Our CeramicSteel surface is 99% recyclable, made from 100% inorganic materials.

We partner with our customers to help them meet their sustainability goals and contribute to architecture's enduring performance and beauty worldwide.



Forever Warranty

Polyvision warrants that all porcelain-enameled surfaces made with e³™ CeramicSteel with or without printing will retain its writing and erasing qualities and maintain its gloss variance and color consistency for the life of the building or for as long as the product is in use, whichever comes first. In addition, Polyvision warrants that any Hygienic CeramicSteel surface manufactured by Polyvision will retain its Hygienic properties for the life of the building or for as long as the product is in use, whichever comes first.

Should any failure to conform to this warranty become apparent, then, upon written notice from the customer, Polyvision, at its option, will correct such nonconformity by repair or replacement. Correction in the manner provided above shall constitute a fulfillment of all liabilities of Polyvision with respect to the quality of the CeramicSteel writing surface. The warranty is applicable only under normal usage and maintenance and does not cover defects caused by improper handling, vandalism or abuse, or arising from failure to follow Polyvision's instructions and recommendations for maintenance.

The warranty is voided if any modifications are made to the products by the customer or other trades with or without Polyvision's written consent or prior knowledge. The warranty does not include the cost of removal or reinstallation. This warranty is effective as of March 7, 2024, and supersedes the terms and conditions of all prior surface warranties issued to the customer by Polyvision.

This limited warranty is the sole remedy for product defects and no other express or implied warranty is provided, including but not limited to any implied warranties of merchantability or fitness for a particular purpose. Polyvision shall not be liable for consequential or incidental damages arising from any product defect.

NOTE Architectural surfaces are covered under the Polyvision Limited International Warranty (20 years).



Americas

4301 N Wood DR
Okmulgee, OK 74447 USA
info@polyvision.com | 1.678.542.3100

Europe, Middle East + Africa

Zuiderring 56
3600 Genk, Belgium
EMEAsupport@polyvision.com | +32.89.32.31.30

Asia Pacific

15th Floor, Kinwick Centre
32 Hollywood Road, Central District, Hong Kong
APACsupport@polyvision.com | +852.2520.0160



SURFACEMATTERS™

©2024 Polyvision Corporation. All rights reserved. Trademarks used herein are the property of Polyvision Corporation or of their respective owner. Polyvision Corporation reserves the right to make changes in product design, construction or detail, and to discontinue any product or material without notice.

polyvision.com



27-08-2024 AMERICAS