

Boundri™ & Boundri™ Soft Installation Guide

EMEA & APAC Regions

Guidelines for installing your new
Boundri privacy screens

Safety Requirements

Tipping Hazard

If handled incorrectly the installation could be tipped over.

Crush Hazard

CeramicSteel panels are heavy. Falling or dropping these panels can cause serious

injury and damage to the panels. Follow all safety instructions.

Safety Instructions

CAUTION: Contains small parts.

Read all assembly directions on installation guide before beginning installation.

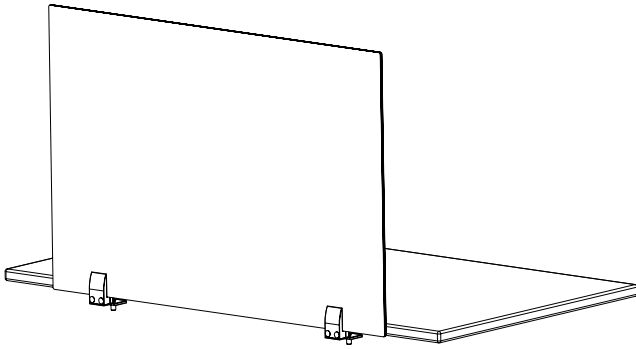
Use **all** panel clamps for the required panel positions and sizes.

Product Installation Information

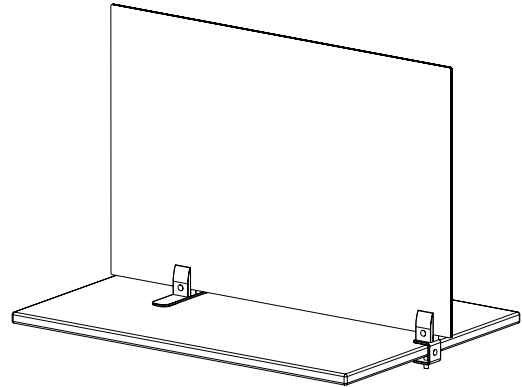
Maximum tabletop thickness = 1.25" or 34 mm

Minimum tabletop thickness = 0.25" or 6 mm

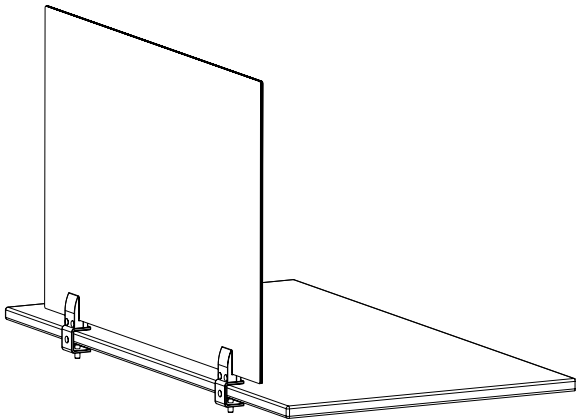
Product Configurations



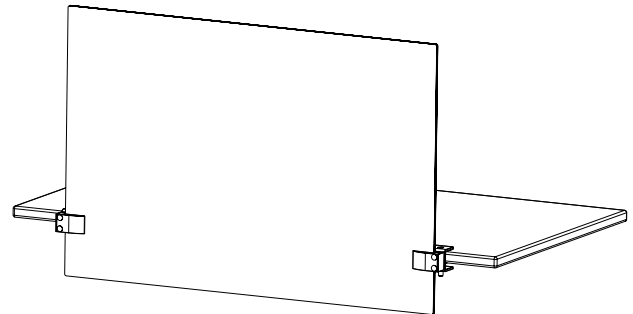
Privacy | Back Mount
Page: 5



Side Divider | Top Mount
Page: 7



Privacy | Top Mount
Page: 6

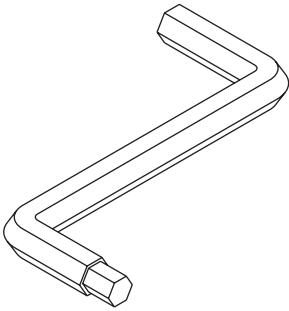


Privacy | Modesty
Page: 8

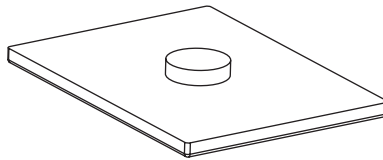


Materials Provided

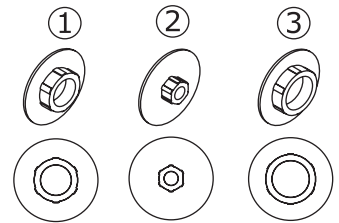
Note: Parts are not drawn to scale.



Allen wrench



Bottom cover



Hole cover

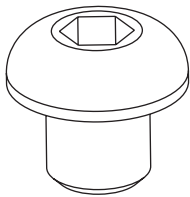
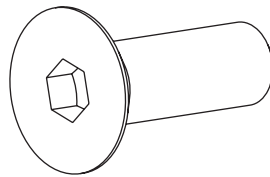
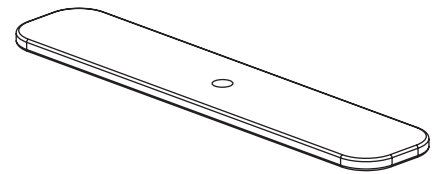


Table clamp screw



Panel clamp screw



Clamp base

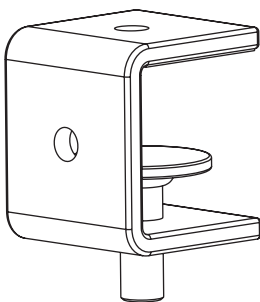
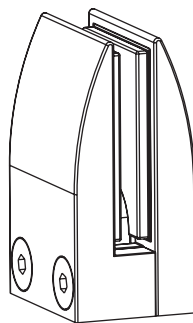
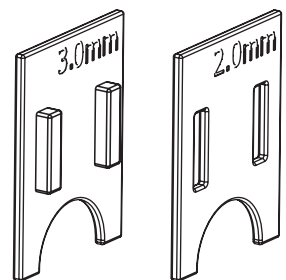


Table clamp / cap cover



Panel clamp

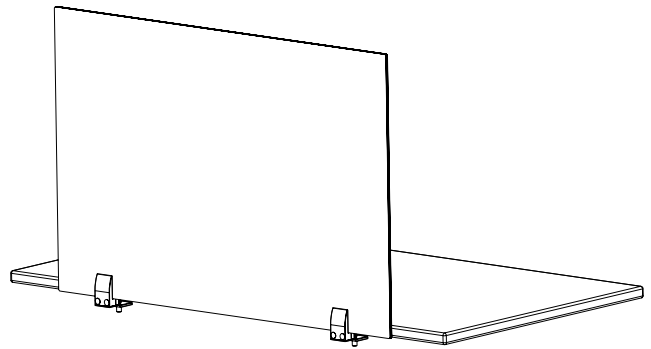


Inlay spacers are mounted in the panel clamp.
Note: When installing Boundri soft, remove 2.00mm inlay.

Privacy | Back Mount

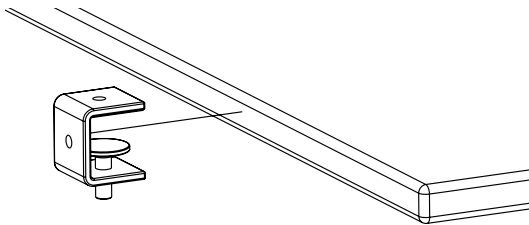
Read all assembly directions before beginning installation.

Use **all** panel clamps for the required positions.



Step 1

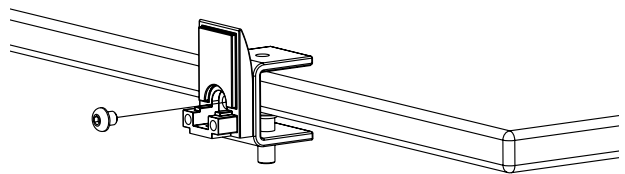
Turn the clamp screw to be tight with the table surface.



Step 2

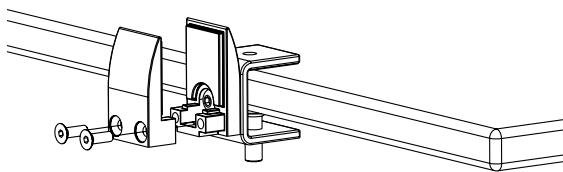
Attach first part of clamp to mount.

*If installing soft, remove the inlay 2.00mm in both clamp halves.



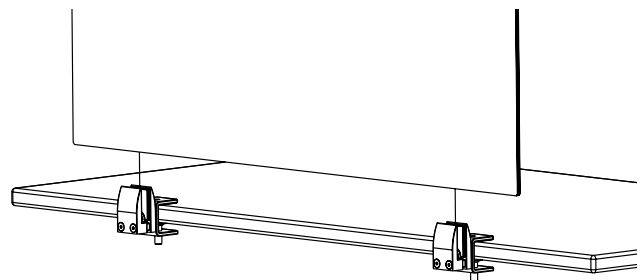
Step 3

Do not tighten fully. This will make the next step easier.



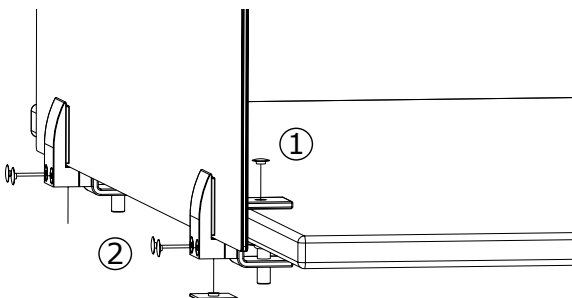
Step 4

Insert panel and hand-tighten screw with an allen wrench until secure.



Step 5

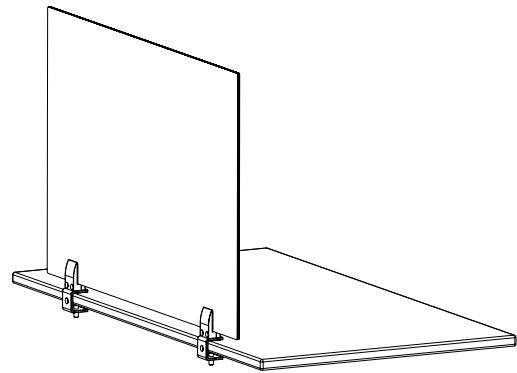
Install hole covers.



Privacy | Top Mount

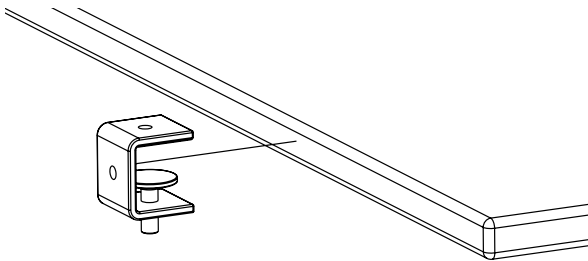
Read all assembly directions before beginning installation.

Use **all** panel clamps for the required positions.



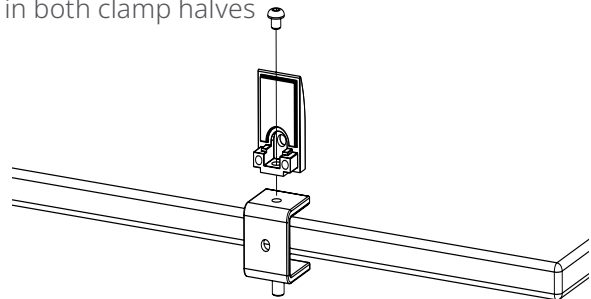
Step 1

Turn the clamp screw to be tight with the table surface.



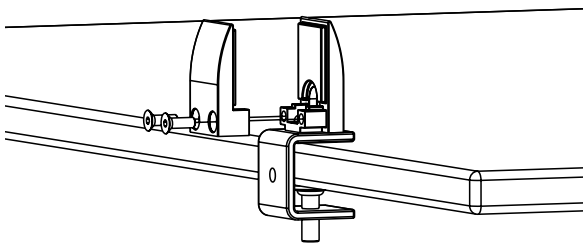
Step 2

Attach first part of clamp to mount.
*If installing soft, remove the inlay 2.00mm in both clamp halves



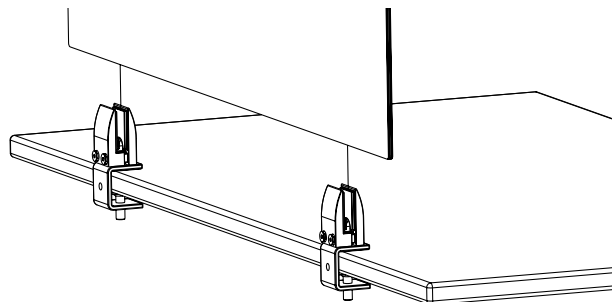
Step 3

Do not tighten fully. This will make the next step easier.



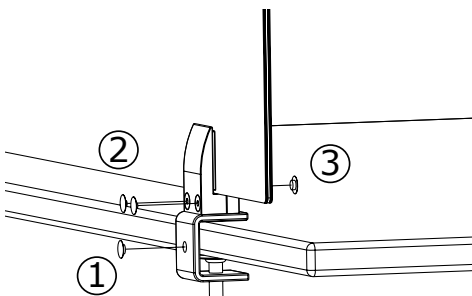
Step 4

Insert panel and hand-tighten screw with an allen wrench until secure.



Step 5

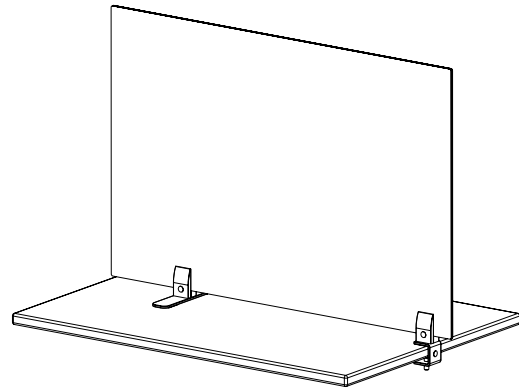
Attach hole covers.



Side Divider | Top Mount

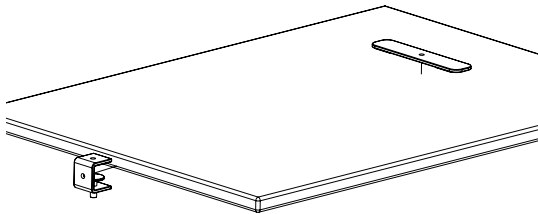
Read all assembly directions before beginning installation.

Use **all** panel clamps for the required positions.



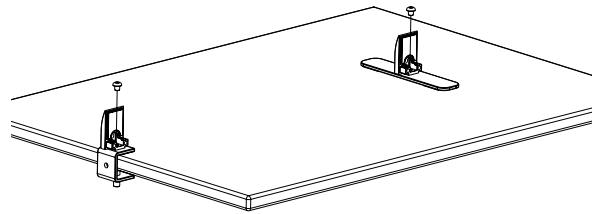
Step 1

Turn the clamp screw to be tight with the table surface. Ensure anti-slip pads are face down.



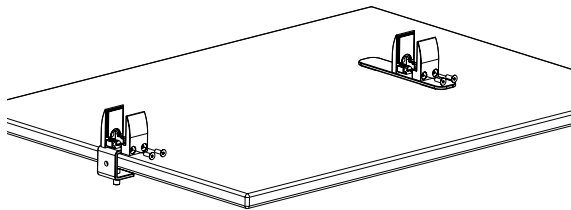
Step 2

Attach first part of clamp to both mounts.
*If installing soft, remove the inlay 2.00mm in both clamp halves.



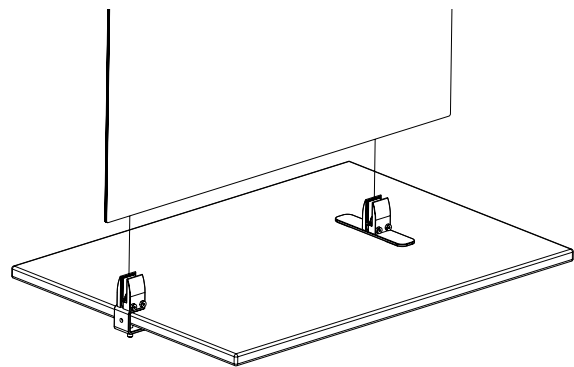
Step 3

Do not tighten fully. This will make the next step easier.



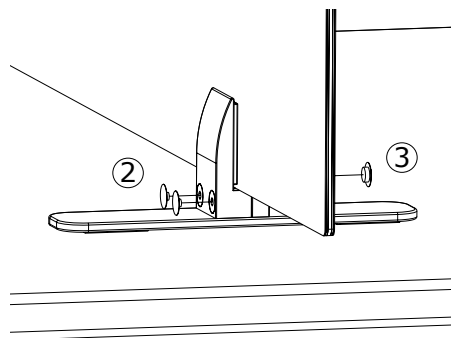
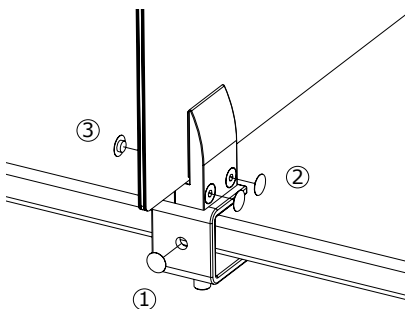
Step 4

Insert panel and hand-tighten screw with an allen wrench until secure.



Step 5

Attach hole covers.



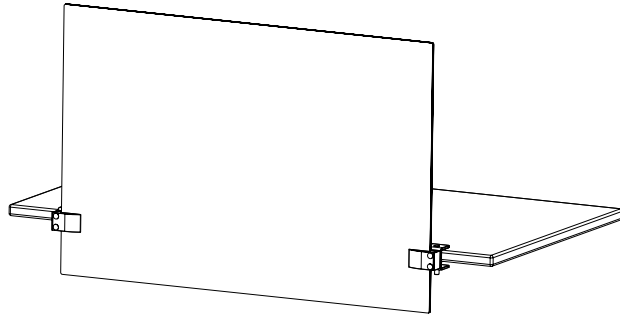
Privacy | Modesty

Read all assembly directions before beginning installation.

Use **all** panel clamps for the required positions.

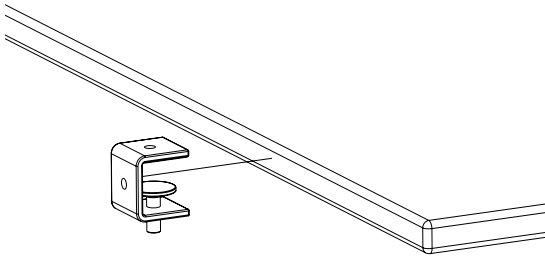
This setup can only be used with the following sizes:

18" x 24", 18" x 36", 24" x 24", 24" x 36" or 385 mm x 585 mm, 385 mm x 785 mm, 585 mm x 585 mm, 585 mm x 785 mm



Step 1

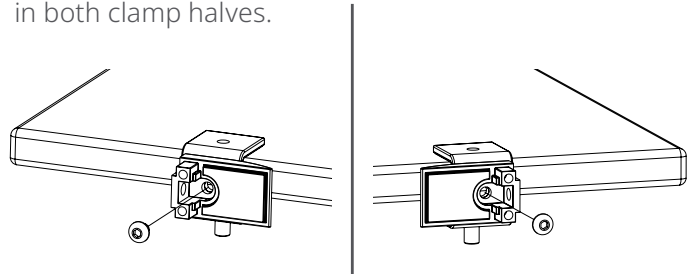
Turn the clamp screw to be tight with the table surface. Ensure anti-slip pads are face down.



Step 2

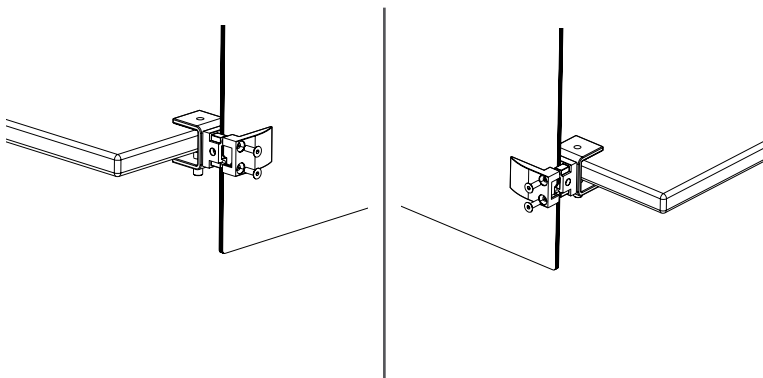
Direction of clamp should be positioned to grip the panel on left and right sides.

*If installing soft, remove the inlay 2.00mm in both clamp halves.



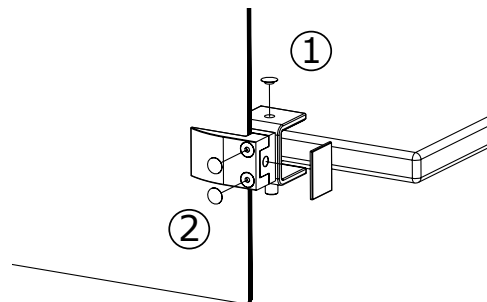
Step 3

Do not tighten fully. This will make the next step easier.



Step 4

Attach hole covers.



Collaborative Products Warranty

CeramicSteel Surface: Forever warranty

Polyvision warrants that all porcelain-enameled surfaces and/or products made with e³™ CeramicSteel will retain its writing and erasing qualities and maintain its gloss variance and color consistency for the life of the building or for as long as the product is in use, whichever comes first.

Panel Construction and Mobile: 10 year limited warranty

Polyvision warrants that our panels, under normal atmospheric conditions and when sealed from moisture, will not delaminate from the substrate or warp for a period of 10 years. Polyvision warrants that our Mobile products, when used under normal conditions, will perform as intended for a period of 10 years.

Accessories: 2 year limited warranty

Polyvision warrants that our accessories, including but not limited to Collaborative ToolBar and round magnetic eraser, when used under normal conditions will perform as intended for a period of 2 years. Consumables like markers and chalk sticks are not covered by the Accessories warranty.

Should any failure to conform to this warranty become apparent, then, upon written notice from the customer, Polyvision, at its option, will correct such nonconformity by repair or replacement. Correction in the manner provided above shall constitute a fulfillment of all liabilities of Polyvision with respect to the quality of the CeramicSteel. The warranty is applicable only under normal usage and maintenance and does not cover defects caused by improper handling, vandalism or abuse, or arising from failure to follow Polyvision's instructions and recommendations for maintenance.

The warranty is voided if any modifications are made to the products by the customer or other trades with or without Polyvision's written consent or prior knowledge. The warranty does not include the cost of removal or reinstallation. This warranty is effective as of July 12, 2019, and supersedes the terms and conditions of all prior surface warranties issued to the customer by Polyvision.

This limited warranty is the sole remedy for product defects and no other express or implied warranty is provided, including but not limited to any implied warranties of merchantability or fitness for a particular purpose. Polyvision shall not be liable for consequential or incidental damages arising from any product defect.



Polyvision Americas

4301 N Wood Drive
Okmulgee, OK 74447 USA

T 1 888 325 6351
E info@polyvision.com

Polyvision Europe

Zuiderring 56
3600 Genk, Belgium

T +32 89 32 31 30
E EMEAsupport@polyvision.com

Polyvision Asia-Pacific

15th Floor, Kinwick Centre
32 Hollywood Road, Central District
Hong Kong

T +852 2520 0160
E APACsupport@polyvision.com

SURFACEMATTERS™

©2024 Polyvision Corporation. All rights reserved. Trademarks used herein are the property of Polyvision Corporation or of their respective owner. Polyvision Corporation reserves the right to make changes in product design, construction or detail, and to discontinue any product or material without notice.

polyvision.com



05-01-2024 EMEA APAC