



---

# installation instructions alto - framed

# safety requirements

## Polyvision alto - Wall Mounted Dry Erase Board, Non-Seismic Applications

The building's Engineer of Record must be consulted to determine if there are any seismic requirements.

	<b>⚠ CAUTION!</b> CRUSH HAZARD. Failure to properly secure board could result in personal injury.
	<b>⚠ ATTENTION!</b> RISQUE D'ÉCRASEMENT. Ne pas attacher la planche de manière sûre pourrait entraîner des blessures personnelles.
<b>SAFETY INSTRUCTIONS</b>	
Read all assembly direction before beginning installation. Building construction varies greatly. The Building's Engineer of Record is responsible for the design of building walls which the boards are attached to and must verify the adequacy of the mounting hardware, even if provided by the manufacturer. The building owner or designated agent is responsible for verifying that the installation is in compliance with all local codes and regulations.	
<b>INSTRUCTIONS DE SÉCURITÉ</b>	
Lisez l'ensemble des instructions d'assemblage avant de démarrer l'installation. La construction des bâtiment varie grandement. L'ingénieur d'enregistrement du bâtiment est responsable de la conception des murs sur lesquels sont attachées les planches et doit vérifier que le matériel de montage est adéquat, même si ce dernier est fourni par le fabricant. Le propriétaire du bâtiment ou l'agent désigné a la responsabilité de vérifier que l'installation est conforme a l'ensemble des codes et réglementations locaux.	

## Verify Wall Construction

- CAUTION! Adequate wall construction is required to support the weight of the board. Minimum wall construction must be capable of supporting weight amounts listed in Table 1.

## Minimum Required Wall Construction

### Drywall with metal studs:

- Must be at least .02" thick Metal stud (1.92" x 1.97")
- Studs on maximum 24" centers
- Must be at least 2 x .49" Type X gypsum drywall
- 1.34" drywall screws on 12" centers centers

### Drywall with wood studs:

- Stud grade SPF, DF-L or Hem-Fir 1.5" x 3.5"
- Studs on 24" centers
- Must be atleast 5/8" thick Type X gypsum drywall
- #6 x 1-1/4" drywall screws on 12" centers

# required materials & equipment

## Electrical Equipment

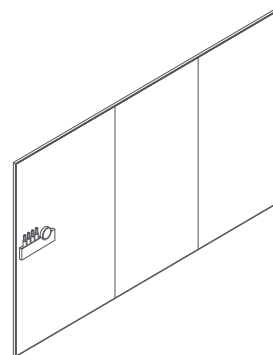
- Drill
- Miter saw
- Grinder
- Jigsaw
- Industrial vacuum cleaner

## Hardware Equipment

- Level (laser level recommended)
- Aluminum straight guide
- Chalk line
- Anchors adapted to wall
- For gypsum walls, use #8 plastic wall anchor with #8 x 1-1/4" self drilling screws.
- For stone walls, anchors and screws must be provided by installer per conditions
- Recommended anchor spacing is 16" to 24" on center
- Shims 1/32" - 1/16" - 1/8"
- Soft wood block 2" x 1" x 12" length or rubber mallet to knock in the coverstrip
- Glass suction cup lifters (2)

## Materials Included

NOTE: Items are not drawn to size.



alto panel(s)



extrusions



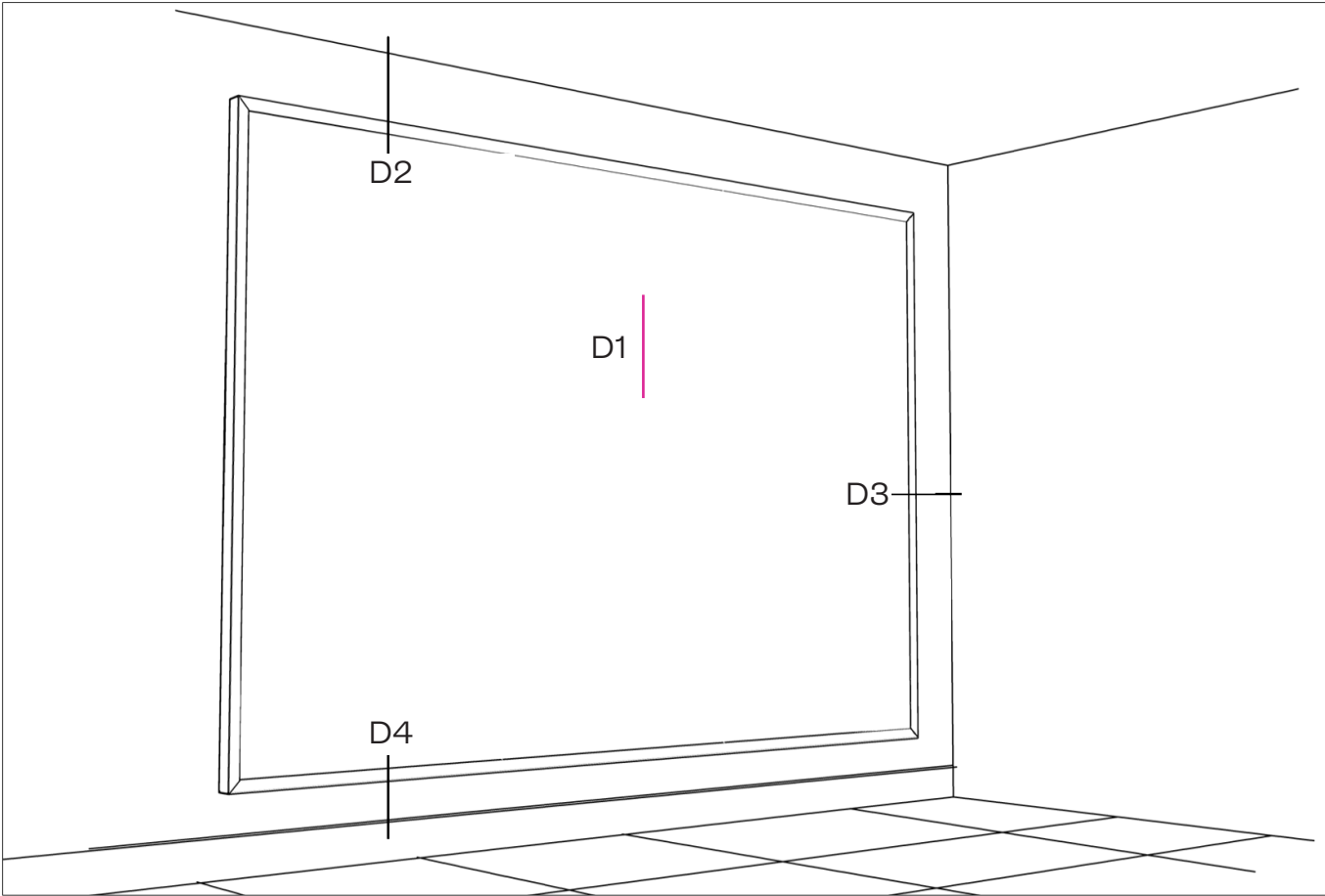
screws



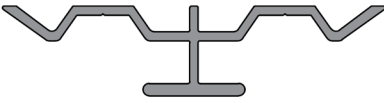
wall anchors

# key to system details

The details listed in the image below show placement for panel profiles and how the material can be installed. **IMPORTANT:** Profiles must be secured to studs in as many locations as possible and at least 24" o.c. for horizontals and 18" o.c. for verticals.



## standard extrusions



Mid Frame



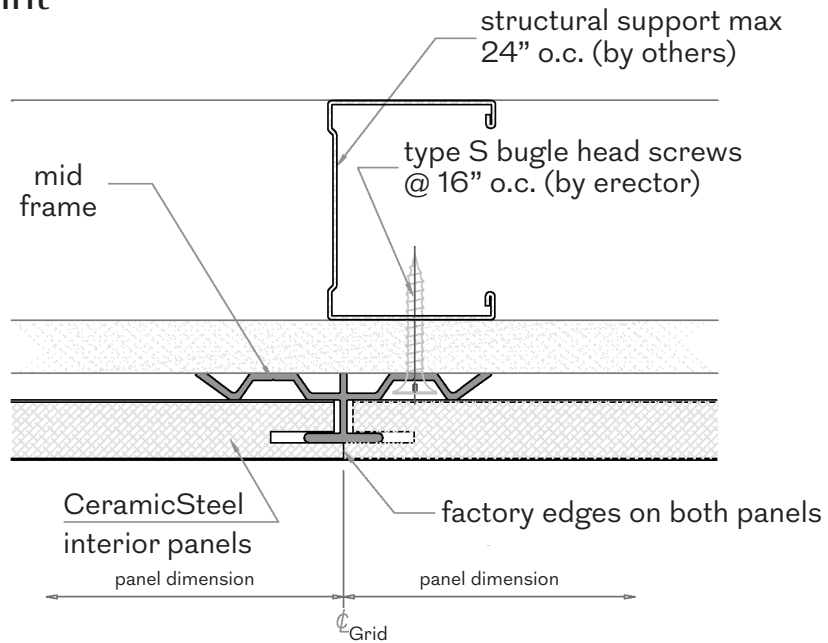
Base Frame



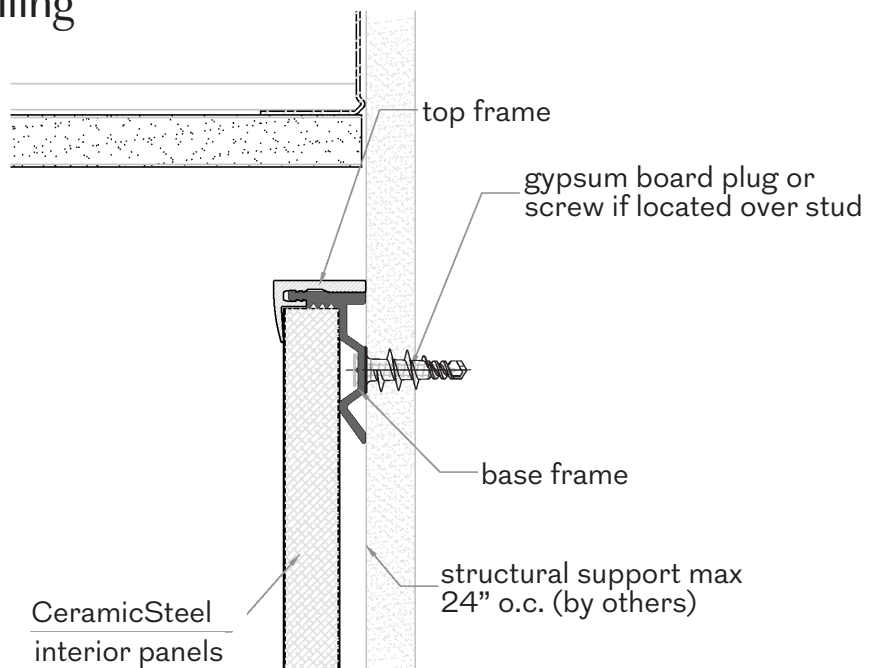
Top Frame

# key to system details

## D1 vertical butt joint

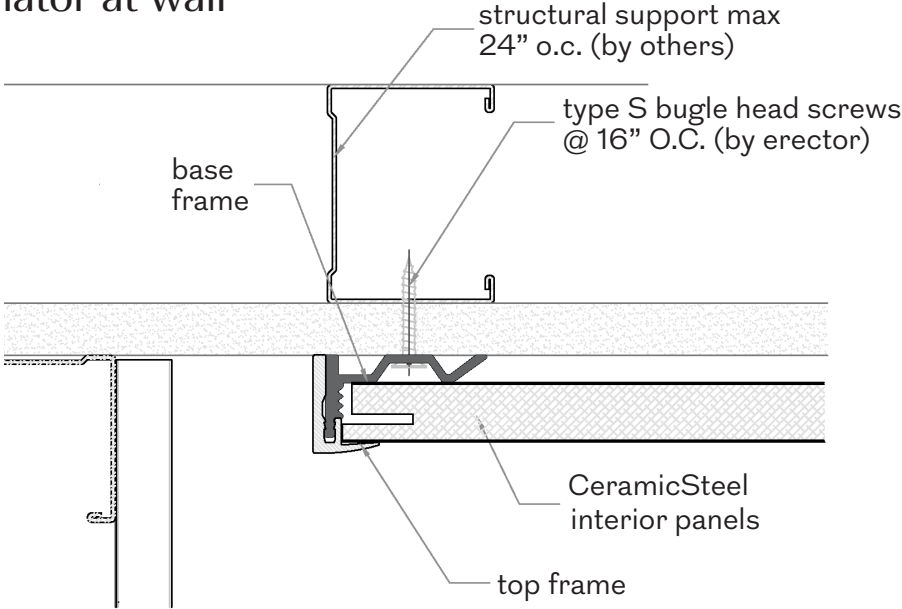


## D2 panel head at ceiling

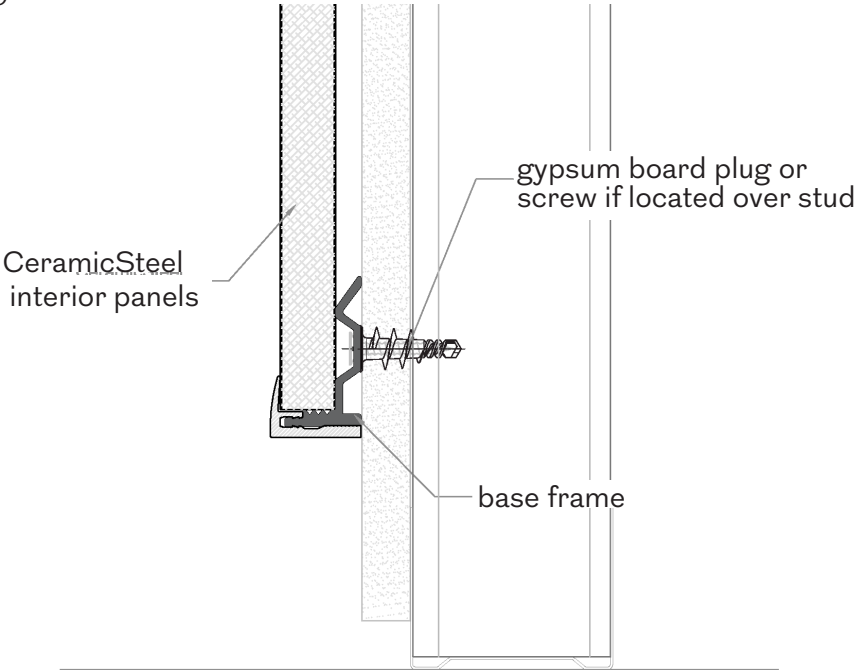


# key to system details

## D3 panel terminator at wall



## D4 panel bottom line



# installation instructions

## step one

Before starting the installation of alto

1. Verify that the required equipment is available and material provided is accurate.
2. Provide adequate protection for finished floor surfaces.
3. If cutouts are required for electrical outlets or switches, refer to the following instructions
  - Square penetrations for light switches and electrical outlets can be made by first drilling a pilot hole and then cutting with a jig saw using a metal cutting blade minimum 14 TPI (teeth per inch).
  - All cutouts should be made with the finish side up, through the protective polyfilm and a layer of common masking tape. Apply masking tape to the entire area. Be sure to apply enough to protect the surface from the baseplate of the saw.
  - Metal burrs left after cutting can be removed with a file or fine sand paper.

Table 1	
Size (H x W)	Weight
Vertical Orientation	
95" x 47"	81.5 lbs / 37 kg
Horizontal Orientation	
47" x 48"	55.1 lbs / 25 kg
47" x 72"	61.7 lbs / 28 kg
47" x 95"	81.5 lbs / 37 kg

Start with a leveled line for the bottom profile. A laser level is recommended. Be sure to allow a minimum of 1/8" space between the profile and the wall base molding.

Mark and drill the holes in the wall.

Attach the base frame using the provided anchors. Refer to Table 2 for profile dimensions.

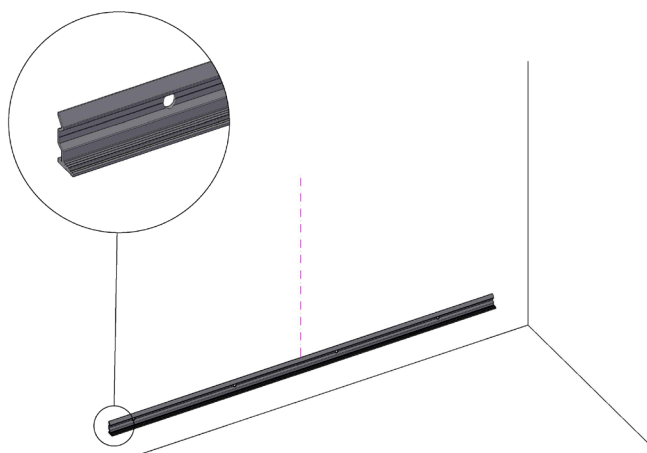


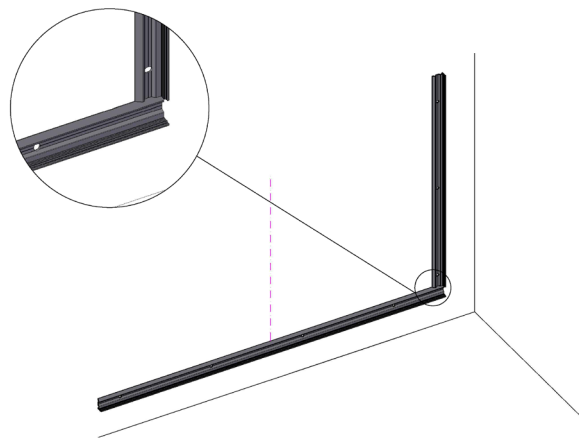
Table 2		
Vertical Orientation		
Panel	Qty	Profile Length
1 Panel	2	1195 mm (47 1/16")
2 Panel	2	2380 mm (93 11/16")
3 Panel	2	3565 mm (140 5/16")
4 Panel	2	4750 mm (187")
Horizontal Orientation		
Wall Length	Qty	Profile Length
12'	2	3670 mm (144 1/2")
14'	3	4280 mm (168 1/2")
16'	2	4850 mm (190 15/16")
18'	3	5500 mm (218 15/16")
20'	3	6090 mm (239 3/16")
24'	3	7270 mm (286 3/16")
30'	5	9160 mm (360 5/8")

# installation instructions

## step two

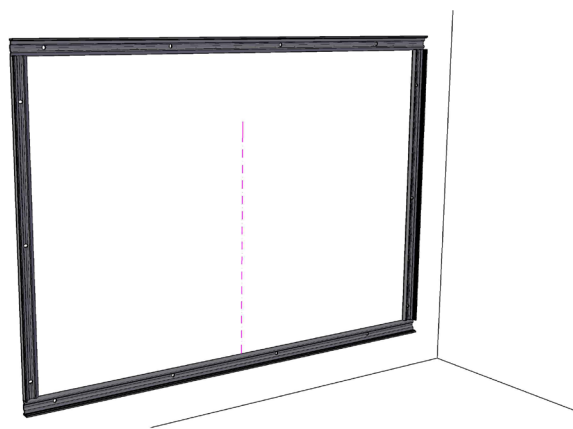
- Start with a leveled line for the vertical profile (base frame). A laser level is recommended. Be sure to allow a minimum of 1/8" space between the profile and any existing wall.
- Mark and drill the holes in the wall.

Vertical Trim Lengths		
Orientation	Height	Dimensions
Vertical	95" / 2420 mm	92-7/8" / 2360 mm
Horizontal	47" / 1185 mm	44-1/4" / 1125 mm



## step three

- Repeat steps 1 and 2 for top and adjacent base frames.
- Mark and drill the holes in the wall
- Attach the base frame using the provided anchors. Refer to Table 2 for profile dimensions.

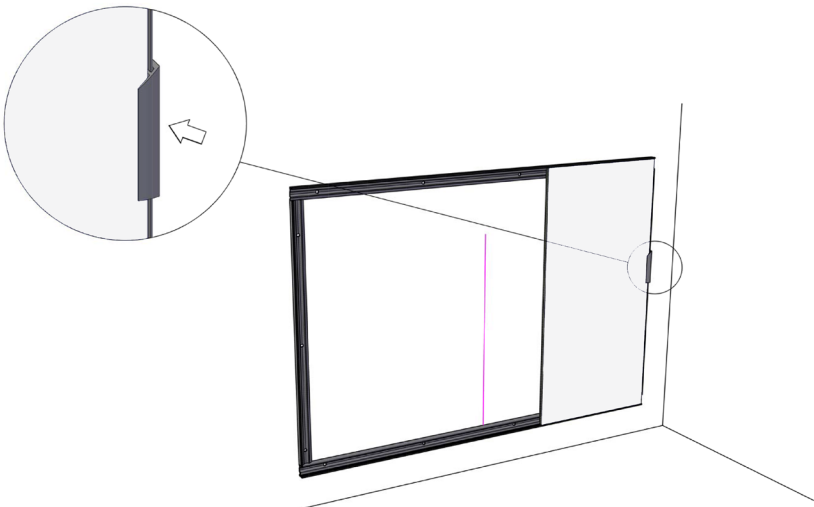
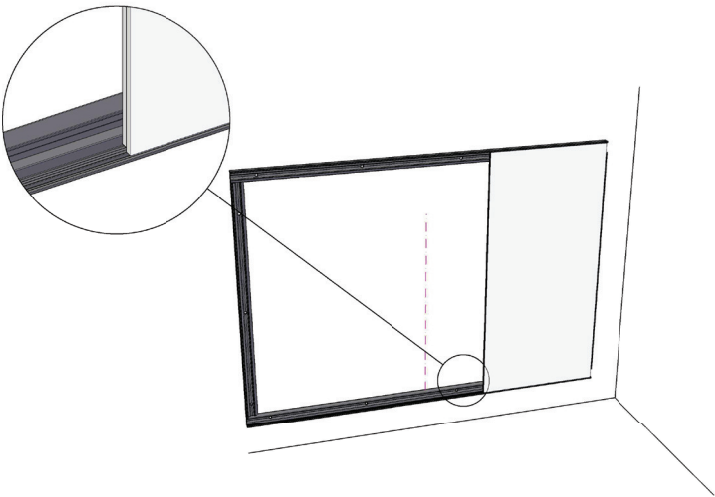




# installation instructions

## step four

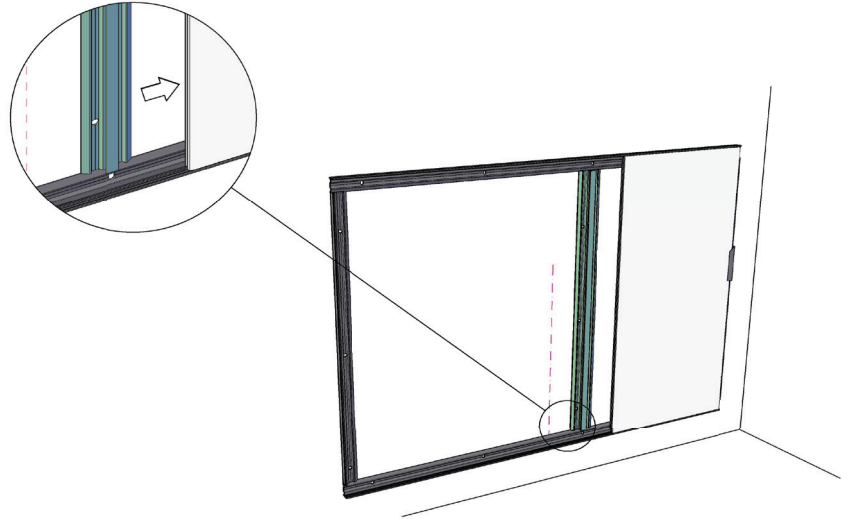
- Before installing the first panel, locate the panel with the logo in the bottom right corner. (Note that the logo is not drawn to size.) This panel will need to be the furthest right panel. This installation guide shows the logo panel as the first to be installed. Installation flows from right to left.
- Place the first panel (with logo) into position and hold the panel into position with a temporary piece of cover trim 8". The panel must fit against the vertical end profile and the horizontal bottom profile.
- Cut pairs of Snap in Trim Extrusion, 8" long with 45 mitre at one end. These can be used to temporarily hold the first panel until the Vertical Joint Spline is installed and secured.



# installation instructions

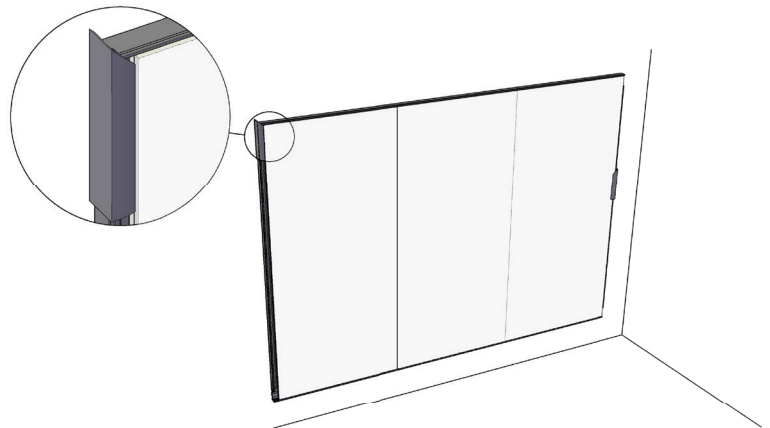
## step five

- Insert the mid frame (H-profile) into the vertical side of the panel opposite from the vertical end profile by sliding the metal extrusion into the groove on the side of the panel.
- Depending upon the type of wall, either anchor directly through the flat part of the H-profile or predrill the wall for the appropriate type of anchor.



## step six

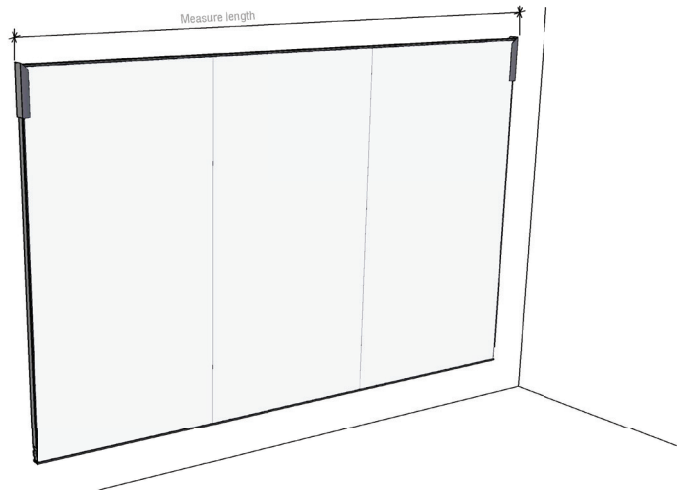
- Repeat step 5 for the remaining panels
- Place the final panel into position and hold in place with a temporary piece of cover trim 8”.



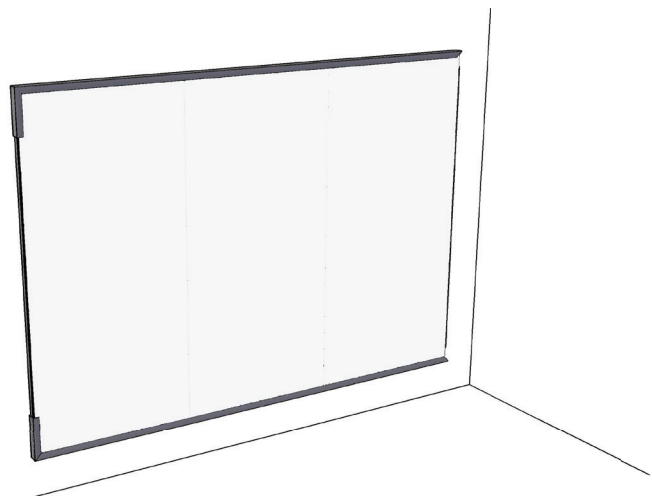
# installation instructions

## step seven

- Place the temporary snap on cover trim pieces on each end of the verticals.



- Measure and miter cut the top and bottom cover trim (top frame).
- Place snap on cover trim being sure to install using a piece of soft wood blocking or a rubber mallet in order to avoid damaging the exposed finish. Start the profile aligned with the bottom/top of the panel. Once the profiles are fixed they will be difficult to remove without damaging.

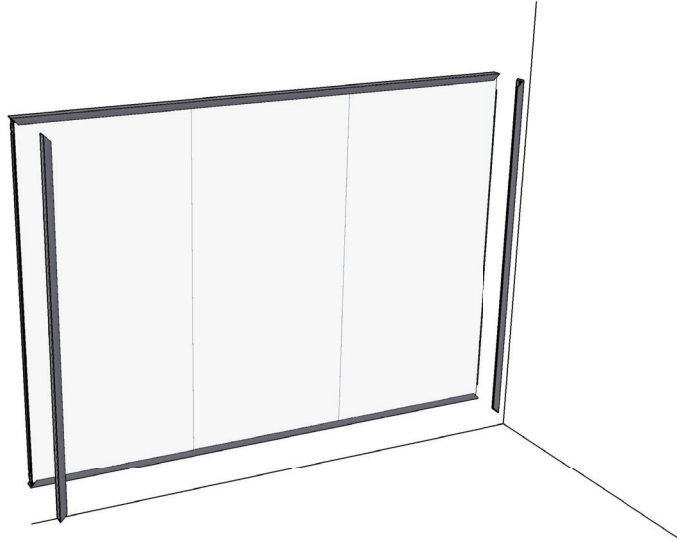


# installation instructions

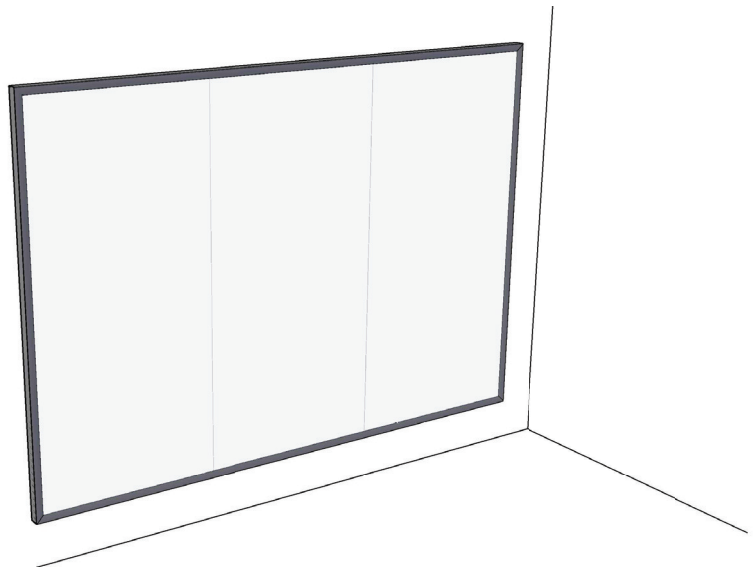
## step eight

---

- Measure and miter cut the vertical cover trim (top frame).
- Place snap on cover trims being sure to install using a piece of soft wood blocking or a rubber mallet in order to avoid damaging the exposed finish. Start the profile aligned with the panel. Once the profiles are fixed they will be difficult to remove without damaging.



- Installation for alto - framed is complete.



1 888 325 6351  
sales\_americas@polyvision.com  
polyvision.com

©2022 Polyvision Corporation. All rights reserved. Trademarks used herein are the trademarks of Polyvision Corporation or their respective owner. Polyvision Corporation reserves the right to make changes in product design, construction or detail, and to discontinue any product or material without notice. alto products are manufactured by Polyvision Corporation.

---