

GORDON®
ARCHITECTURAL+ENGINEERED SOLUTIONS

5023 Hazel Jones Rd.
Bossier City, LA 71111
800.747.8954
GORDON-INC.COM
sales@gordon-inc.com

PRODUCT DIVISION:

ORNAMENTAL

PRODUCT DESCRIPTION:

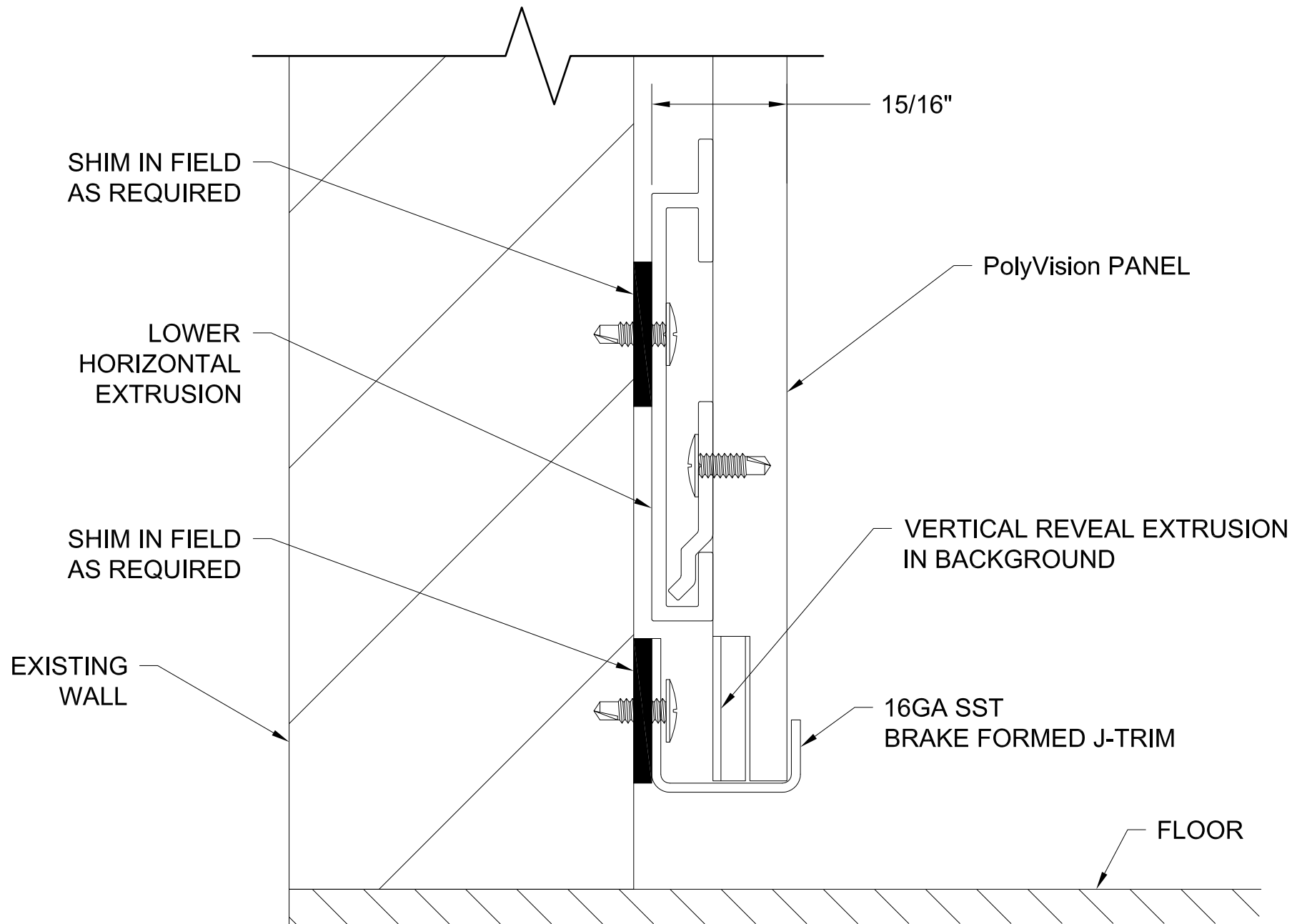
PG-MR-1000 WALL SYSTEM WITH REVEAL

SHEET TITLE:

TYPICAL WALL SECTION AT BASE

SCALE:

6" = 1'0"



GORDON®
ARCHITECTURAL+ENGINEERED SOLUTIONS

5023 Hazel Jones Rd.
Bossier City, LA 71111
800.747.8954
GORDON-INC.COM
sales@gordon-inc.com

PRODUCT DIVISION:

ORNAMENTAL

PRODUCT DESCRIPTION:

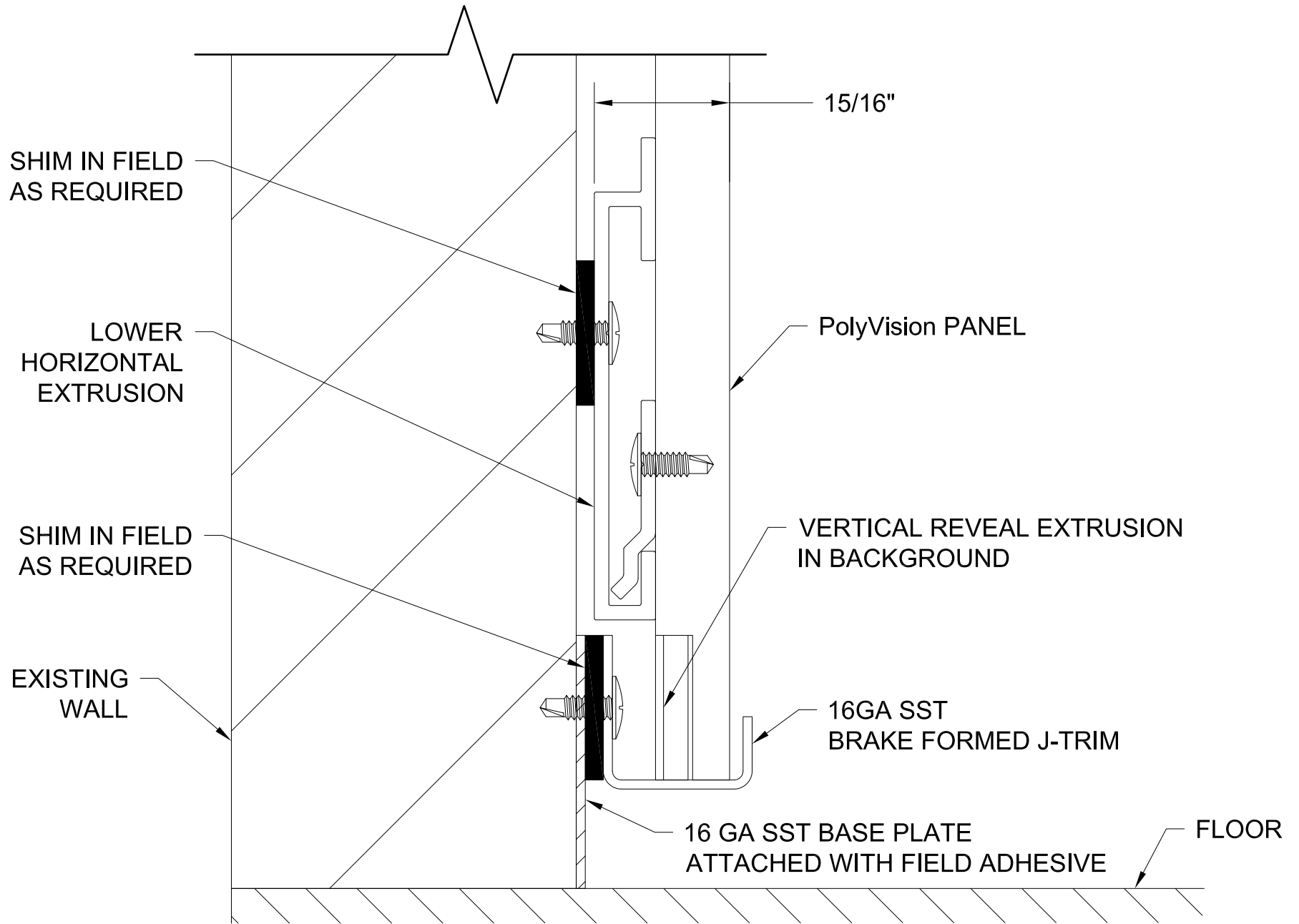
PG-MR-1000 WALL SYSTEM WITH REVEAL

SHEET TITLE:

WALL SECTION AT BASE WITH J-TRIM

SCALE:

FULL



GORDON®
ARCHITECTURAL+ENGINEERED SOLUTIONS

5023 Hazel Jones Rd.
Bossier City, LA 71111
800.747.8954
GORDON-INC.COM
sales@gordon-inc.com

PRODUCT DIVISION:

ORNAMENTAL

PRODUCT DESCRIPTION:

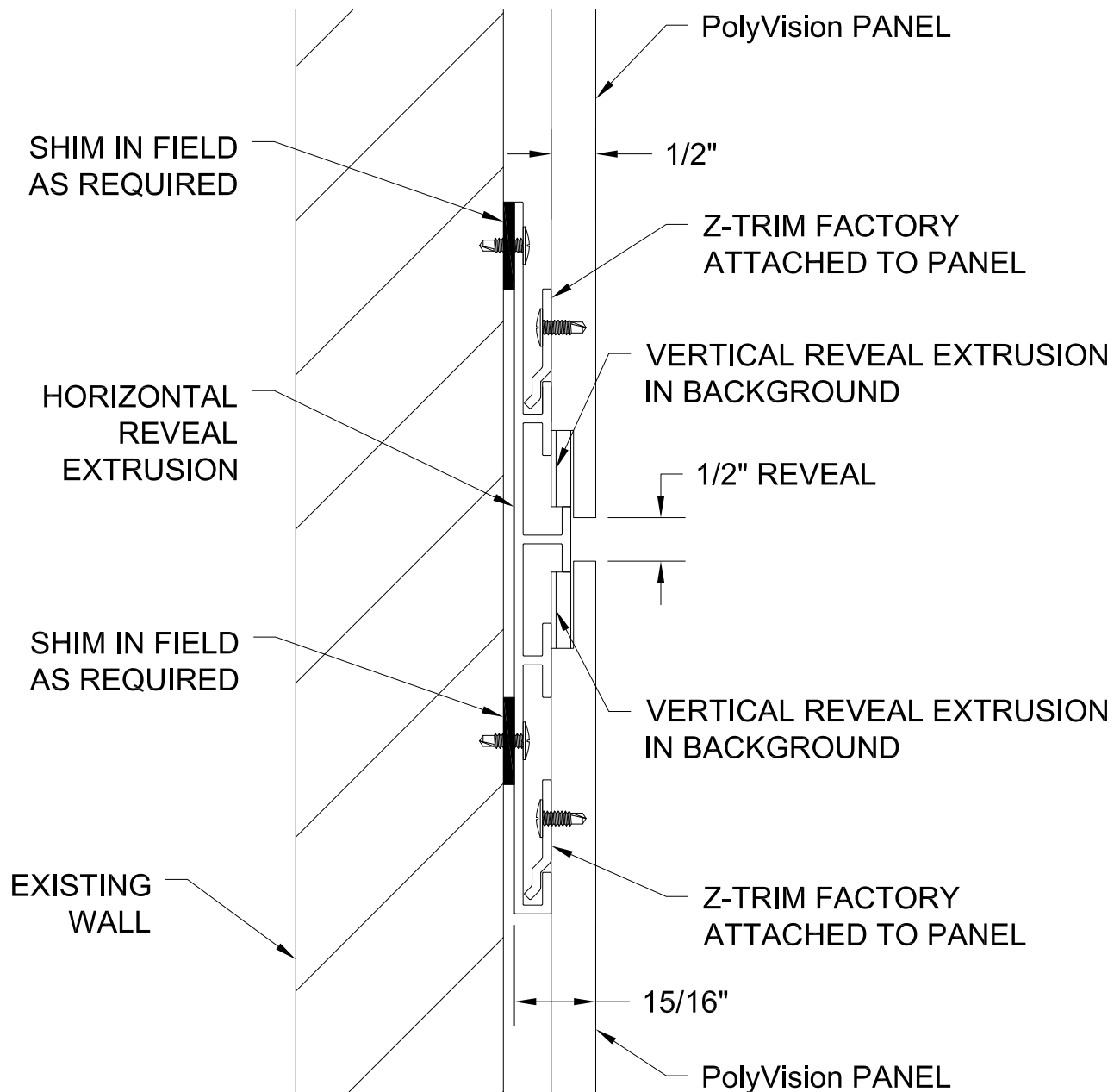
PG-MR-1000 WALL SYSTEM WITH REVEAL

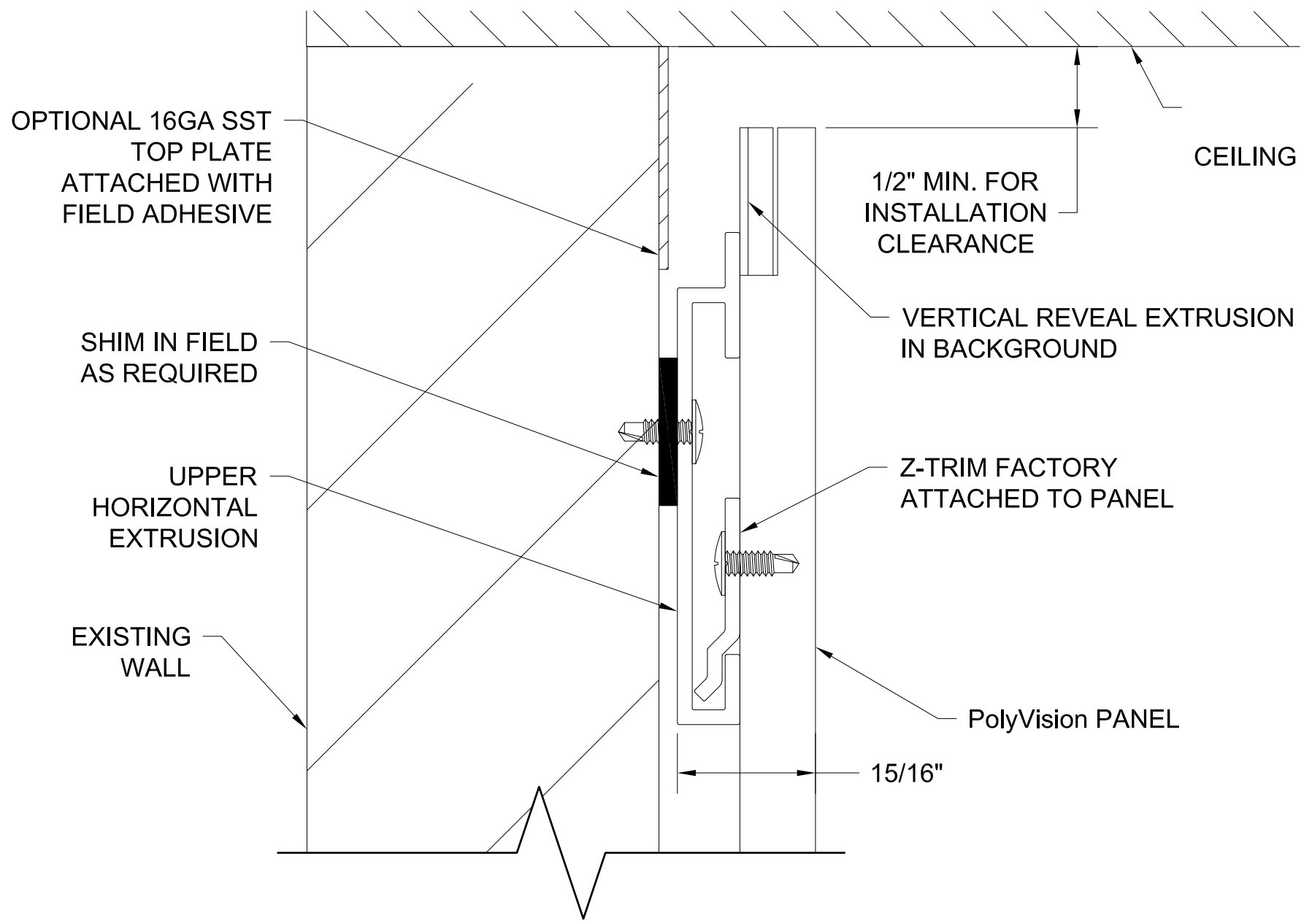
SHEET TITLE:

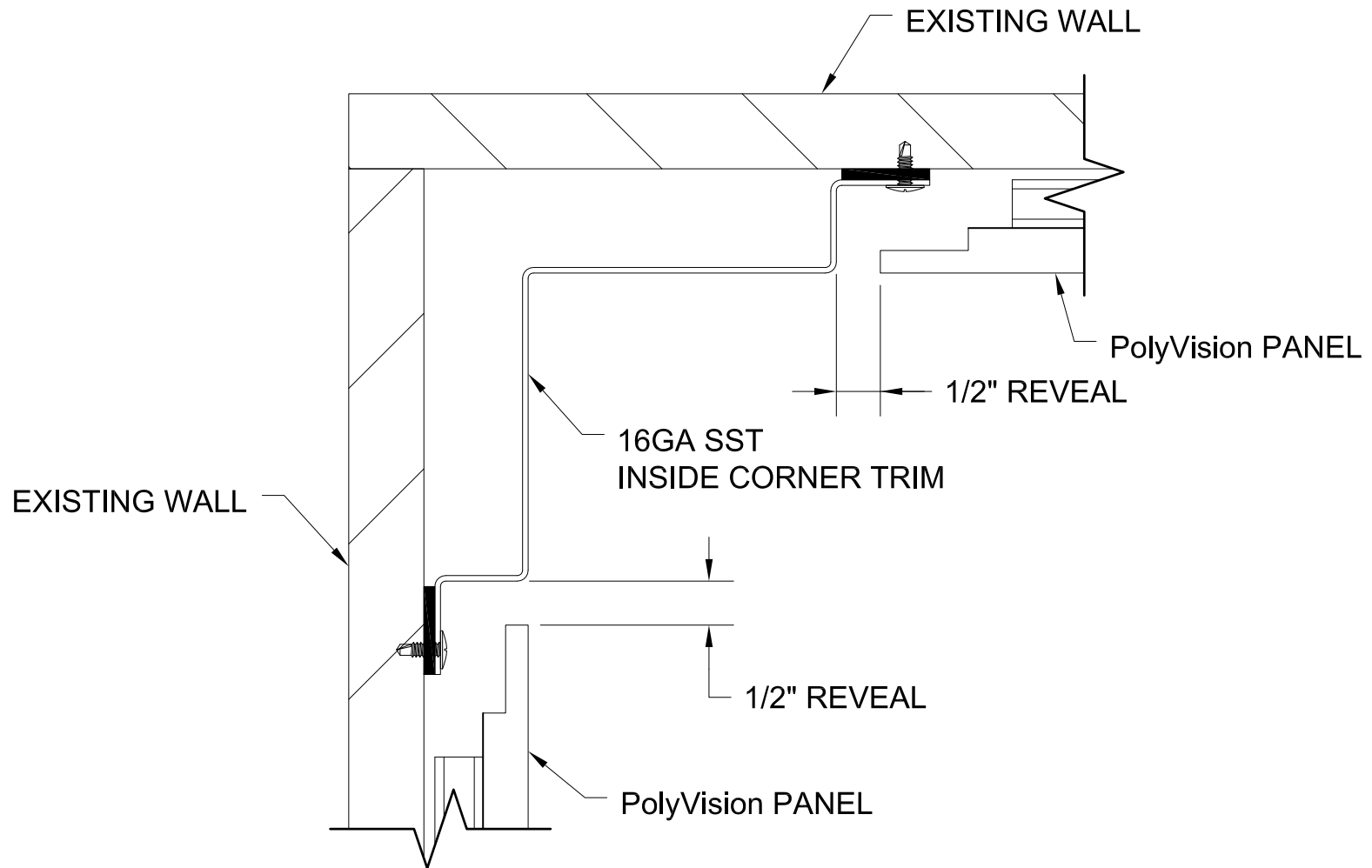
WALL SECTION AT BASE PLATE WITH J-TRIM

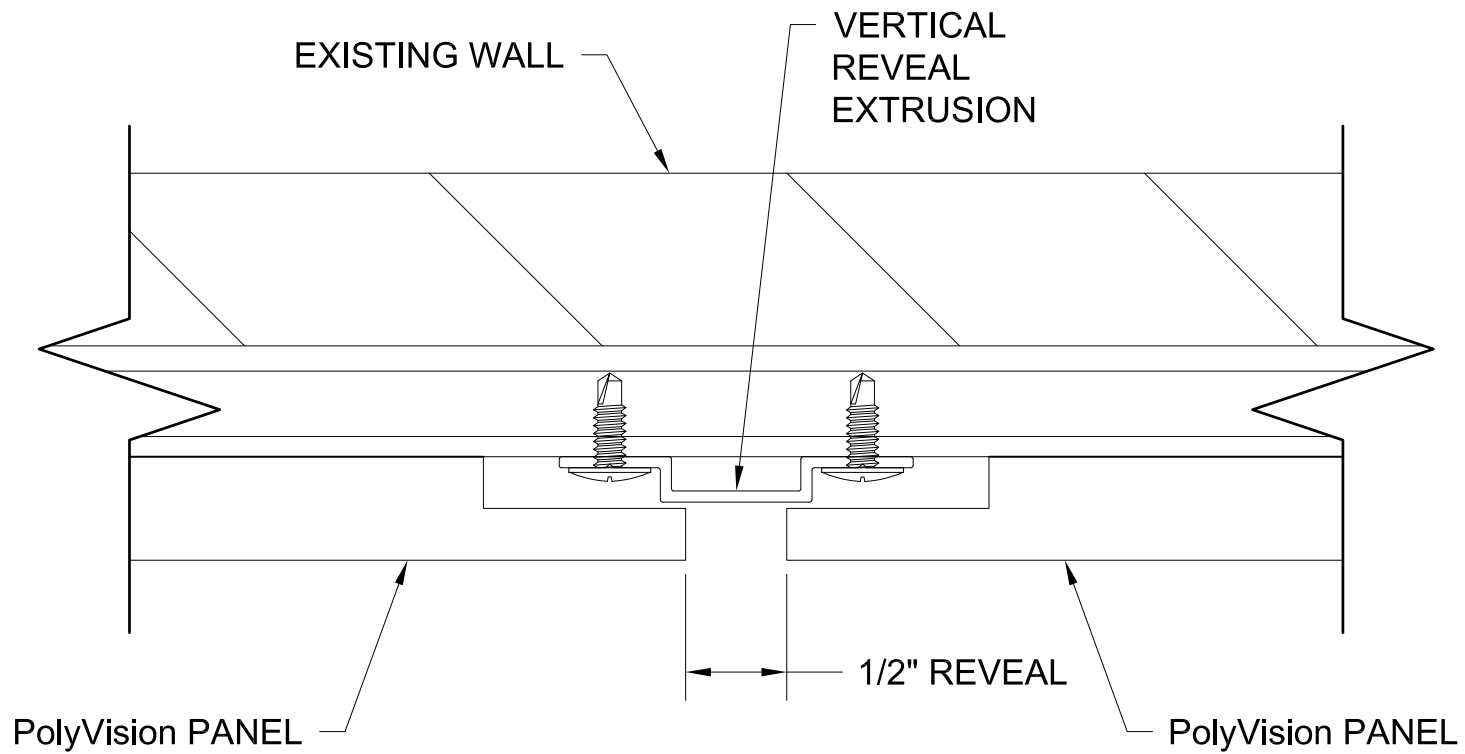
SCALE:

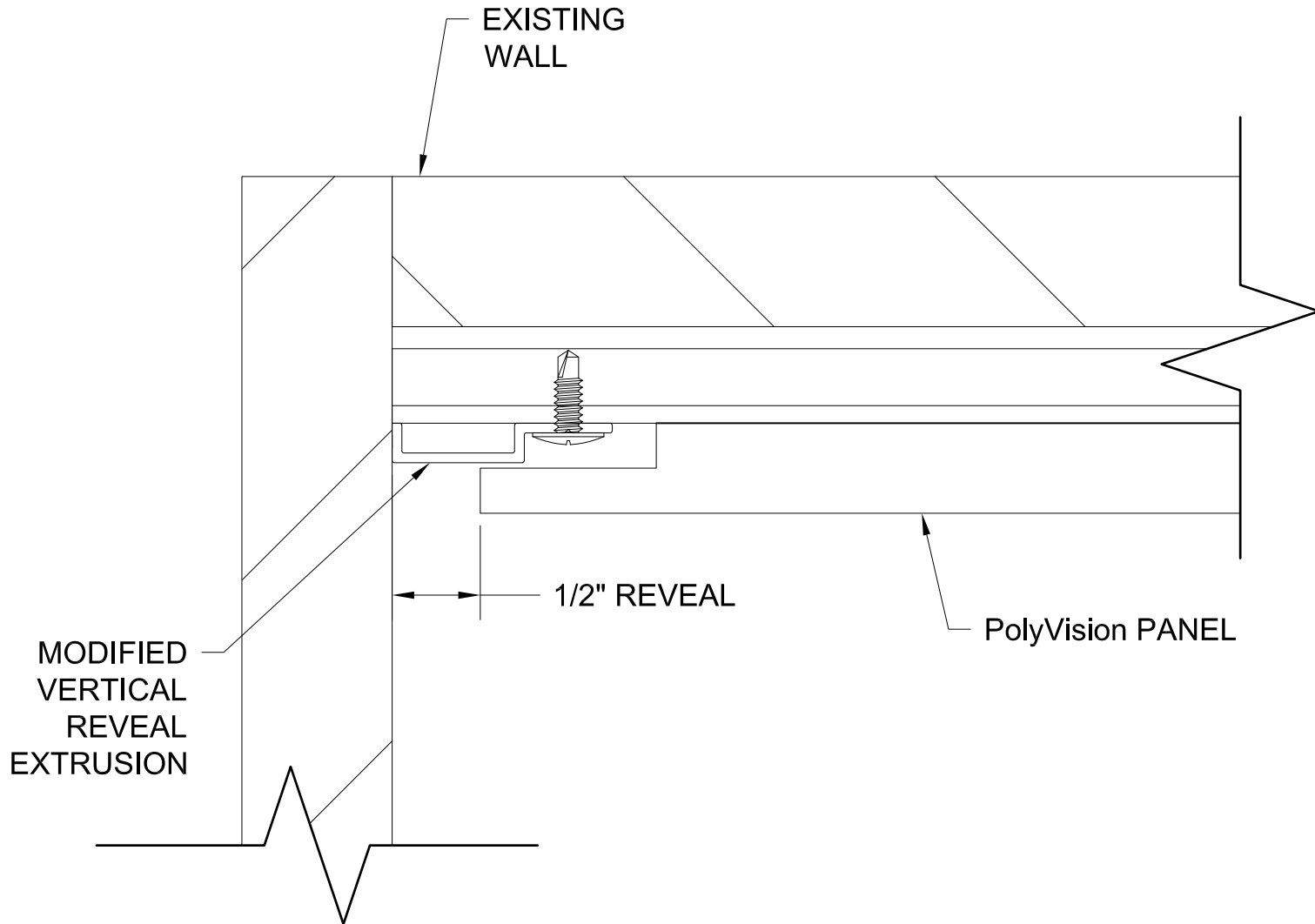
FULL











GORDON®
ARCHITECTURAL+ENGINEERED SOLUTIONS

5023 Hazel Jones Rd.
Bossier City, LA 71111
800.747.8954
GORDON-INC.COM
sales@gordon-inc.com

PRODUCT DIVISION:

ORNAMENTAL

PRODUCT DESCRIPTION:

PG-MR-1000 WALL SYSTEM WITH REVEAL

SHEET TITLE:

WALL TERMINATION SECTION

SCALE:

FULL

